

design FLAMINIA DESIGN TEAM

1990

**6006** Efi 70

Single-hole basin 70 cm suitable for pedestal

• with overflow • arranged for three holes tap

**6009**

Ceramic pedestal suitable for Efi 70 basin

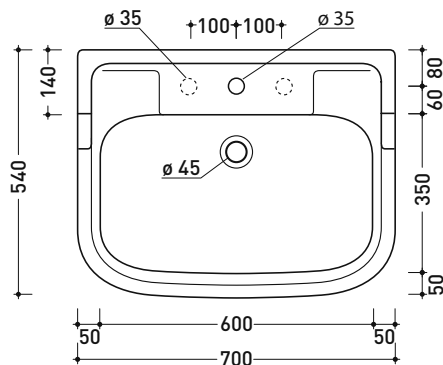
Complements: Line taps basin: EVERGREEN  
Line accessories: EVERGREENTechnical accessories: Chrome siphon (SIFL/CR) - Telescopic chrome siphon (SIFL066)  
Stop & Go drain (PLSG)  
CERAMIC Stop & Go drain (PLCE)  
Two piece set chrome tap filters (RF026)  
Wall fixing kit (9002)

Package dim. basin | Weight 23 kg | Pz. Pallet n° 20

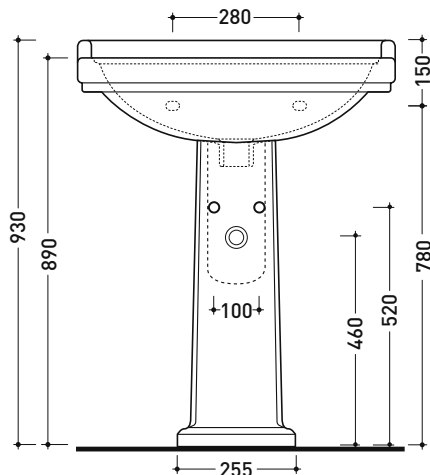
Package dim. pedestal | Weight 11,5 kg | Pz. Pallet n° 30



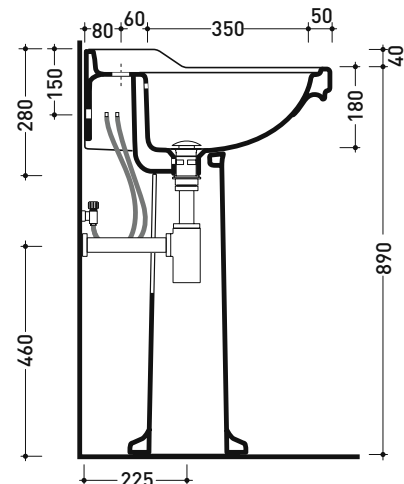
CE UNI EN 14688 - CL20 Dop-No14688



vista zenitale / zenital view



vista frontale / frontal view



sezione longitudinale / section

sizes in mm

Please consider a 2% tolerance on indicated measurements

design FLAMINIA DESIGN TEAM

1990

## 6007 Efi 64

Single-hole basin 64 cm suitable for pedestal

• with overflow • arranged for three holes tap

## 6009

Ceramic pedestal suitable for Efi 64 basin

Complements: Line taps basin: EVERGREEN  
Line accessories: EVERGREEN

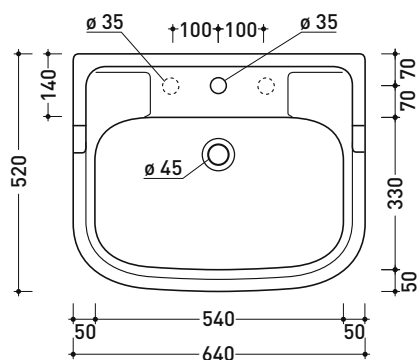
Technical accessories: Chrome siphon (SIFL/CR) - Telescopic chrome siphon (SIFL066)  
Stop & Go drain (PLSG)  
Ceramic Stop & Go drain (PLCE)  
Two piece set chrome tap filters (RF026)  
Wall fixing kit (9002)

Package dim. basin | Weight 21,3 kg | Pz. Pallet n° 24

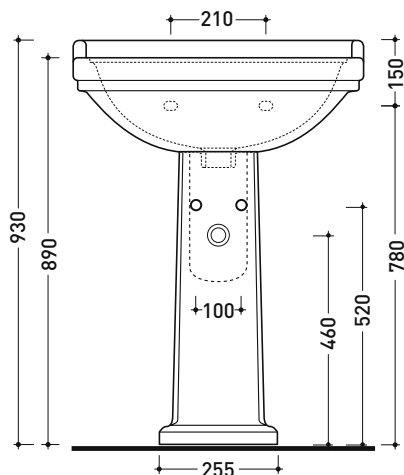
Package dim. pedestal | Weight 11,5 kg | Pz. Pallet n° 30



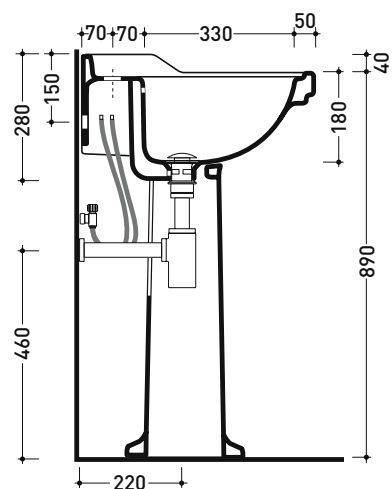
CE UNI EN 14688 - CL20 Dop-No14688



vista zenitale / zenital view



vista frontale / frontal view



sezione longitudinale / section

sizes in mm

Please consider a 2% tolerance on indicated measurements