

## MA117G

Back to wall wc with **goclean** system with S/P trap  
(drainage connectors art. LK1012 included)

Complements: **SLIM** soft-closing thermosetting seat&cover (MACW05)  
Line accessories **EVERGREEN**

Package dim.

Weight **31,5 kg**

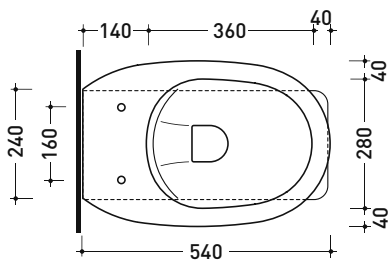
Pz. Pallet n°

CE UNI EN 997

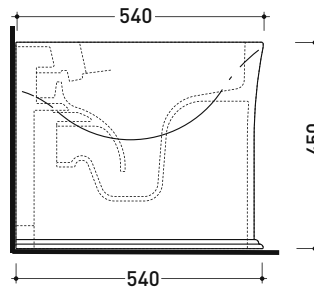
Dop-No997



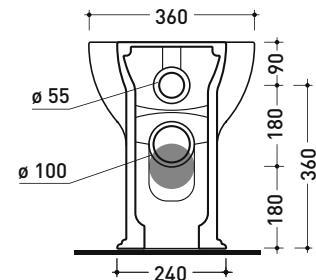
FLAMINIA does not recommend combining this toilet model with rapid-flow/flushometer systems or traditional high tanks



vista zenitale / zenital view

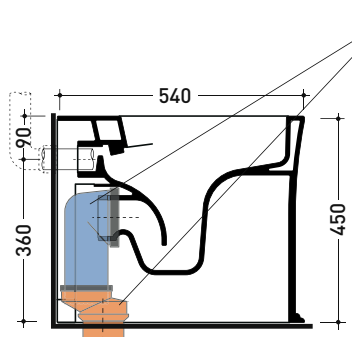


vista laterale / lateral view



vista retro / back view

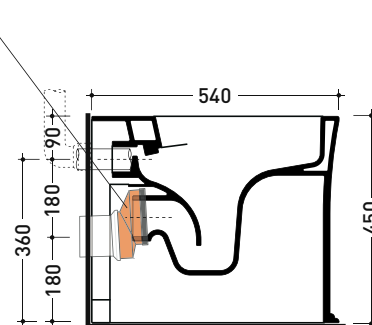
**NOTICE: floor fixing by silicone**



da/from 100 a/to 120 mm

sezione longitudinale / section

art. LK1012 [LKR90+LKR40]  
connessioni di scarico  
(in dotazione)  
drainage connector  
(included in the box)



sezione longitudinale / section