

## MN117S

Back to wall wc with gosilent system S/P trap

(drainage connectors art. LK1012 and floor fixing kit art. 9003 included)

Complements: **Soft-closing thermosetting wrapping seat&cover (MNCW03)**  
**Line accessories: TWO - HOOP - NOKE - FOLD**

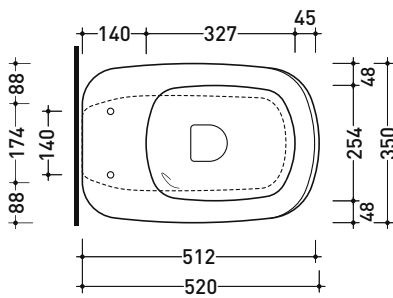


Package dim. 53 x 35,5 x 43 cm | Weight 30 kg | Pz. Pallet n° 15

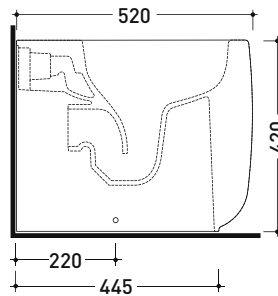
UNI EN 997

Dop-No997

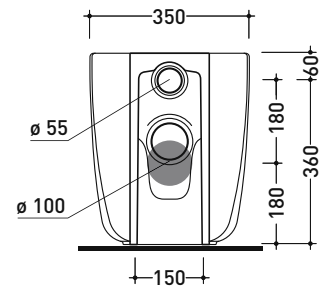
FLAMINIA does not recommend combining this toilet model with rapid-flow/flushometer systems or traditional high tanks



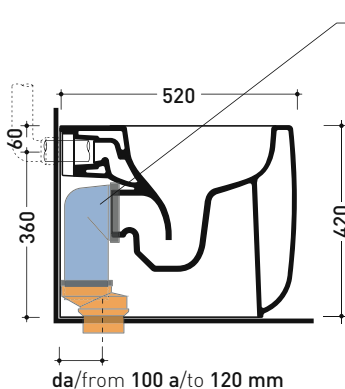
vista zenitale / zenital view



vista laterale / lateral view

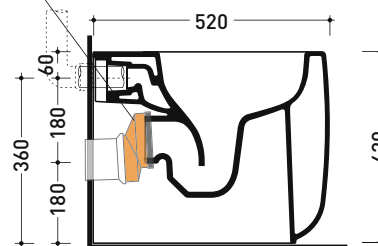


vista retro / back view



sezione longitudinale / section

art. LK1012 (LKR90+LKR40)  
 connessioni di scarico  
 (in dotazione)  
 drainage connector  
 (included in the box)



sezione longitudinale / section

sizes in mm

Please consider a 2% tolerance on indicated measurements

CERAMIC: glossy finish



matt finish

