

MWL60 Miniwash 60

Countertop or wall hung by fixing brackets basin cm 60

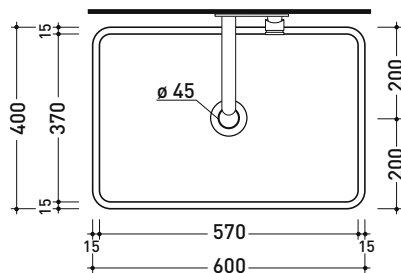
• without overflow • without tap ledge

Complements: ***Pair of wall fixing brackets (MWS)**
FORTY6 shelf (F6MW)
Furniture CUBIKA - depth. 50
Furniture DENVER (DV103M)
FILO 75 metal structure (FI75SV - FI75SC)
Line taps basin: ONE - NOKÉ - SI - FOLD - X1 - STIL
Line accessories: TWO - HOOP - FOLD

Technical accessories: **Chrome siphon (SIFL/CR) - Telescopic chrome siphon (SIFL066)**
Stop & Go drain (PLSG)
CERAMIC Stop & Go drain (PLCE)
Chrome waste with automatic integrated overflow (PLTPCR)
Waste with automatic integrated overflow and ceramic cover (PLTPCE)
Two piece set chrome tap filters (RF026)

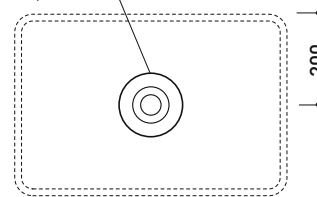
Package dim. 62 x 14,5 x 42 cm | Weight 16 kg | Pz. Pallet n° 24

CE UNI EN 14688 - CL00 Dop-No14688

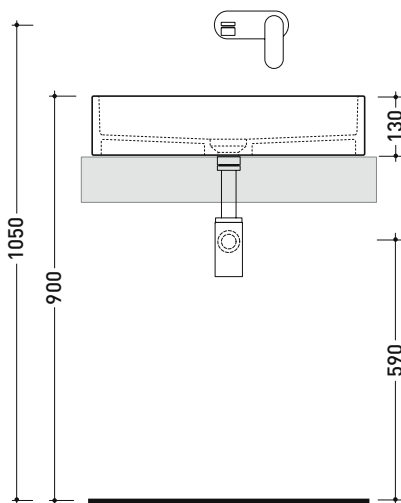


vista zenitale / zenital view

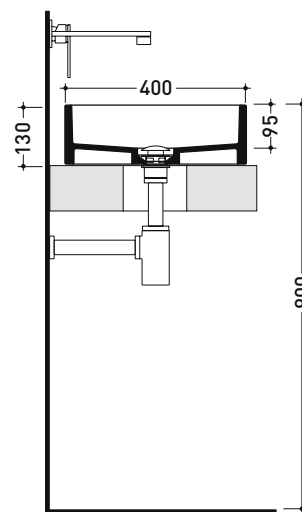
foro consigliato sul piano ø 140
 suggested hole on the top ø140



vista zenitale / zenital view



vista frontale / frontal view



sezione longitudinale / section

sizes in mm

Please consider a 2% tolerance on indicated measurements