

design **FLAMINIA DESIGN TEAM**

**2005**

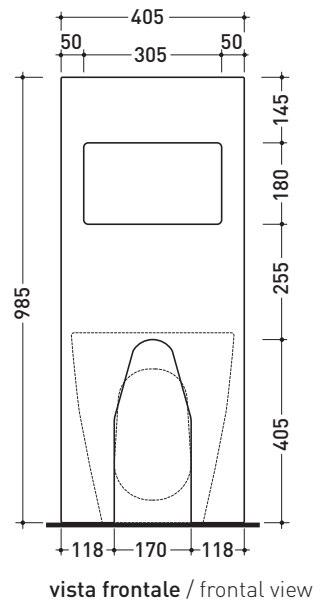
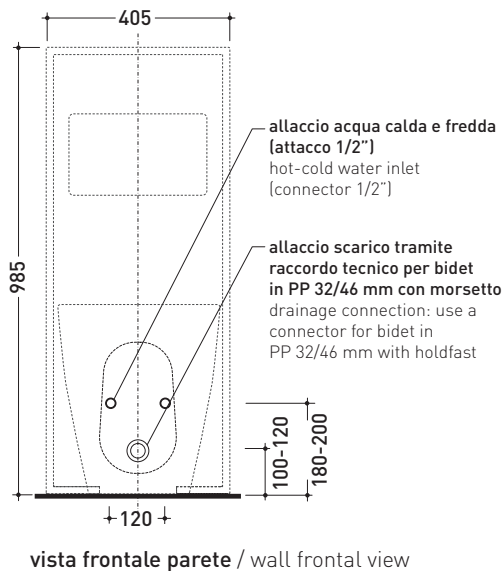
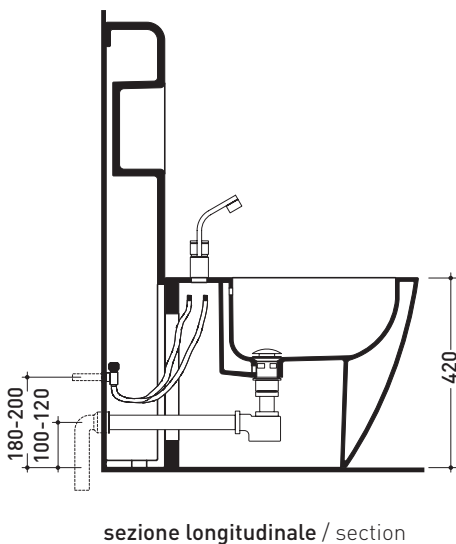
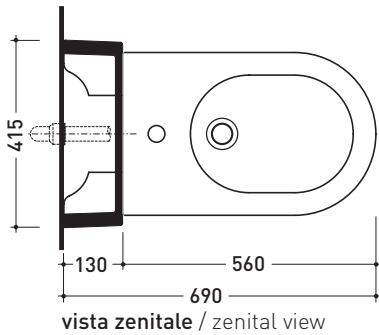
## TR40 + bidet LINK btw (LK217)

**Bidet panel with shelf**  
(wall fixing kit included)

Complements: **Link bidet back to wall (LK217)**  
**Terra bidet back to wall (TR217)**  
**Como bidet back to wall (CM217)**  
**Void bidet back to wall (VD217)**  
**Quick bidet back to wall (QK217)**

Technical accessories: **Short chrome siphon for bidet (SIFB/CR)**  
**Stop & Go drain (PLSG)**  
**CERAMIC Stop & Go drain (PLCE)**  
**Two piece set chrome tap filters (RF026)**

Package dim. **103 x 17,5 x 44 cm** | Weight **29 kg** | Pz. Pallet n° **12**



size in mm

may 2015

**CERAMIC: glossy finish**



**matt finish**



**COLORS IN ELIMINATION**

design **FLAMINIA DESIGN TEAM**

2005

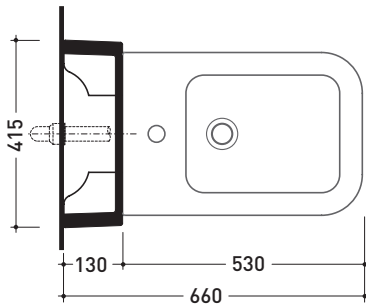
## TR40 + bidet TERRA btw (TR217)

**Bidet panel with shelf**  
(wall fixing kit included)

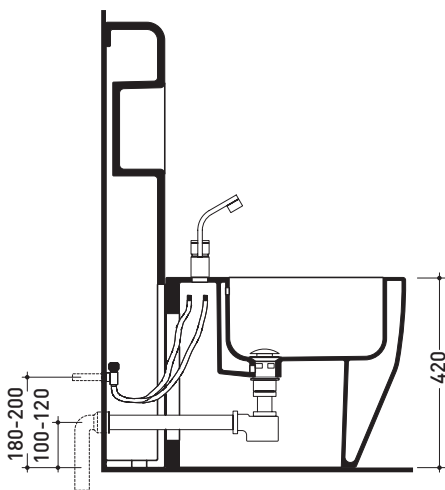
Complements: **Link bidet back to wall (LK217)**  
**Terra bidet back to wall (TR217)**  
**Como bidet back to wall (CM217)**  
**Void bidet back to wall (VD217)**  
**Quick bidet back to wall (QK217)**

Technical accessories: **Short chrome siphon for bidet (SIFB/CR)**  
**Stop & Go drain (PLSG)**  
**CERAMIC Stop & Go drain (PLCE)**  
**Two piece set chrome tap filters (RF026)**

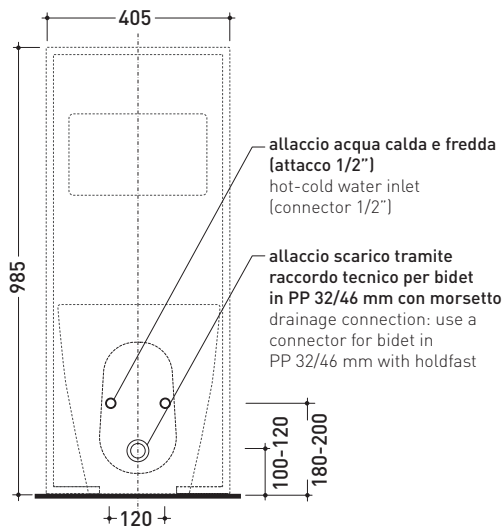
Package dim. **103 x 17,5 x 44 cm** | Weight **29 kg** | Pz. Pallet n° **12**



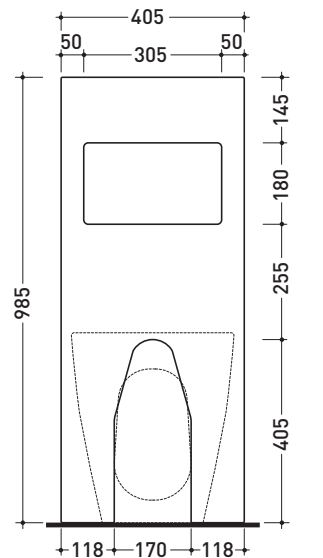
vista zenitale / zenital view



sezione longitudinale / section



vista frontale parete / wall frontal view



vista frontale / frontal view

size in mm

may 2015

**CERAMIC: glossy finish**



**matt finish**



**COLORS IN ELIMINATION**

design **FLAMINIA DESIGN TEAM**

2005

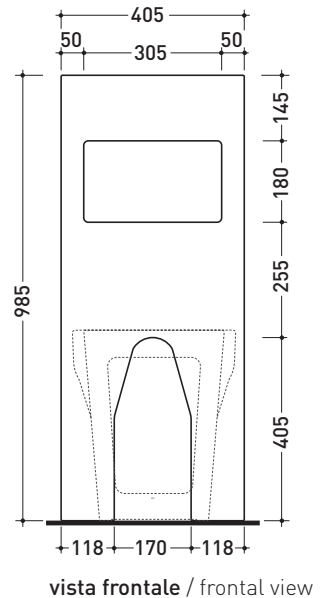
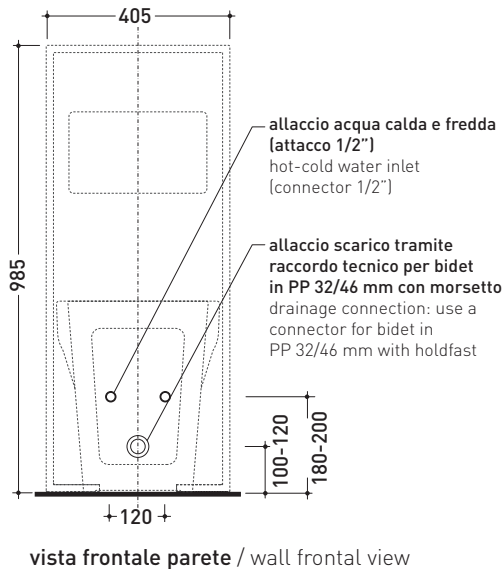
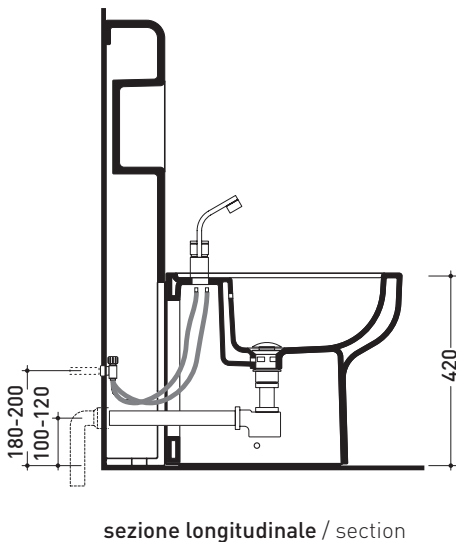
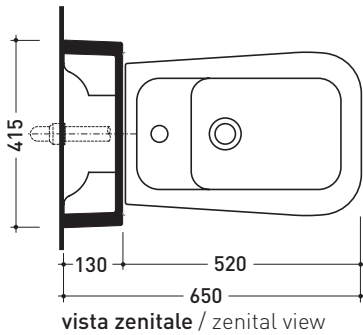
## TR40 + bidet COMO btw (CM217)

**Bidet panel with shelf**  
(fixing kit included)

Complements: **Link bidet back to wall (LK217)**  
**Terra bidet back to wall (TR217)**  
**Como bidet back to wall (CM217)**  
**Void bidet back to wall (VD217)**  
**Quick bidet back to wall (QK217)**

Technical accessories: **Short chrome siphon for bidet (SIFB/CR)**  
**Stop & Go drain (PLSG)**  
**CERAMIC Stop & Go drain (PLCE)**  
**Two piece set chrome tap filters (RF026)**

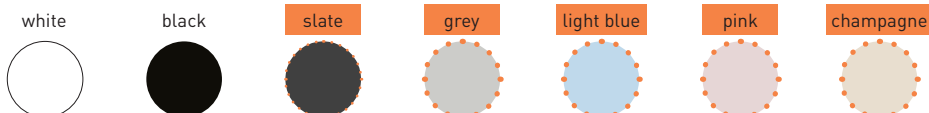
Package dim. **103 x 17,5 x 44 cm** | Weight **29 kg** | Pz. Pallet n° **12**



size in mm

may 2015

**CERAMIC: glossy finish**



**matt finish**



design **FLAMINIA DESIGN TEAM**

**2005**

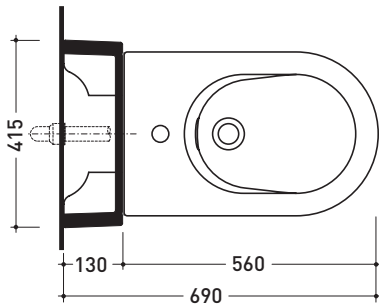
## TR40 + bidet VOID btw (VD217)

**Bidet panel with shelf**  
(wall fixing kit included)

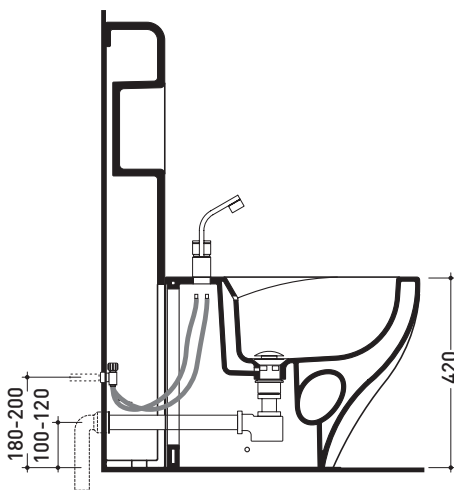
Complements: **Link bidet back to wall (LK217)**  
**Terra bidet back to wall (TR217)**  
**Como bidet back to wall (CM217)**  
**Void bidet back to wall (VD217)**  
**Quick bidet back to wall (QK217)**

Technical accessories: **Short chrome siphon for bidet (SIFB/CR)**  
**Stop & Go drain (PLSG)**  
**CERAMIC Stop & Go drain (PLCE)**  
**Two piece set chrome tap filters (RF026)**

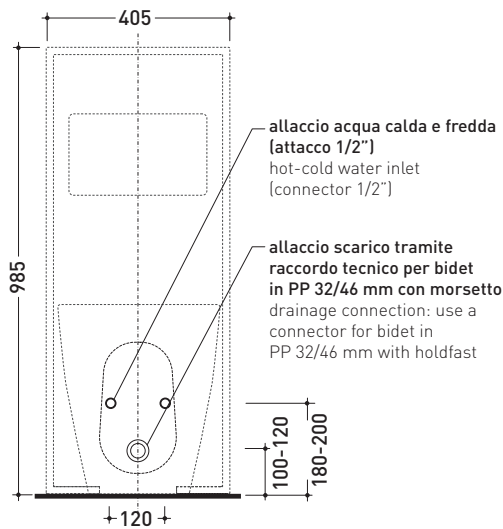
Package dim. **103 x 17,5 x 44 cm** | Weight **29 kg** | Pz. Pallet n° **12**



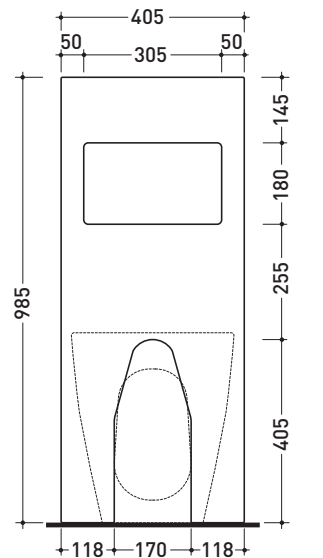
vista zenitale / zenital view



sezione longitudinale / section



vista frontale parete / wall frontal view



vista frontale / frontal view

size in mm

may 2015

**CERAMIC: glossy finish**



**matt finish**



**COLORS IN ELIMINATION**

design **FLAMINIA DESIGN TEAM**

2005

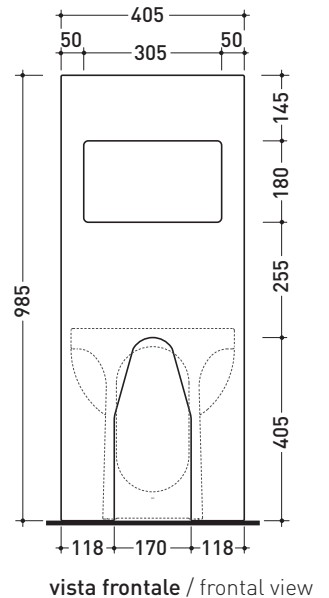
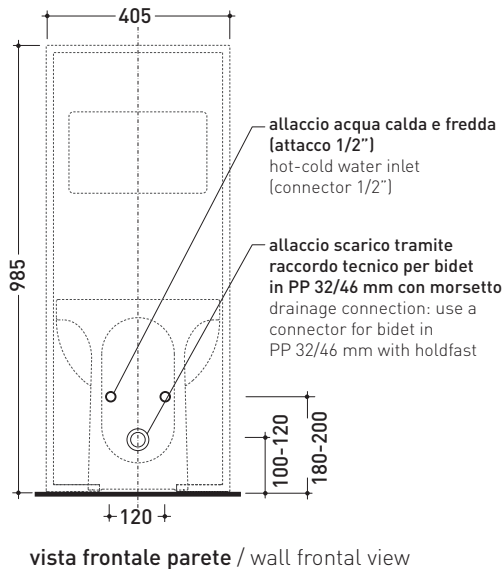
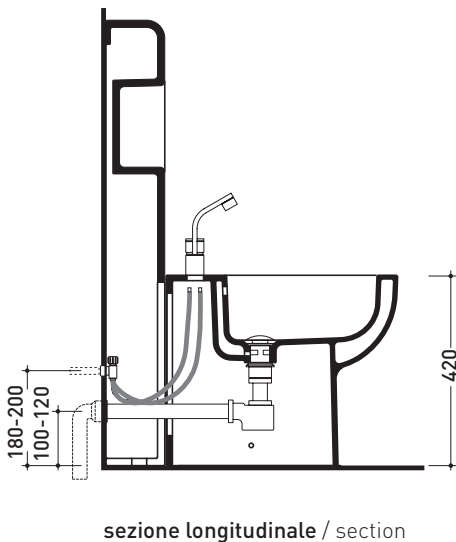
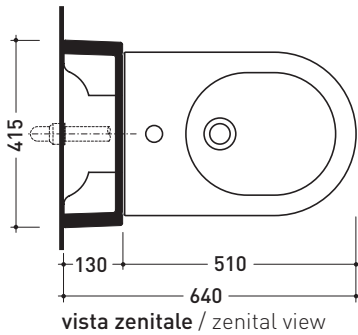
## TR40 + bidet QUICK btw (QK217)

**Bidet panel with shelf**  
(wall fixing kit included)

Complements: **Link bidet back to wall (LK217)**  
**Terra bidet back to wall (TR217)**  
**Como bidet back to wall (CM217)**  
**Void bidet back to wall (VD217)**  
**Quick bidet back to wall (QK217)**

Technical accessories: **Short chrome siphon for bidet (SIFB/CR)**  
**Stop & Go drain (PLSG)**  
**CERAMIC Stop & Go drain (PLCE)**  
**Two piece set chrome tap filters (RF026)**

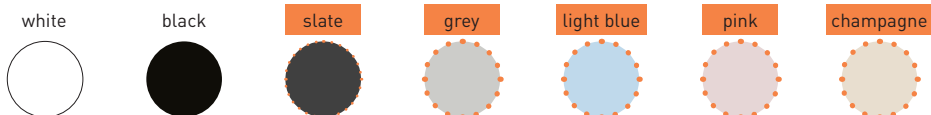
Package dim. **103 x 17,5 x 44 cm** | Weight **29 kg** | Pz. Pallet n° **12**



size in mm

may 2015

**CERAMIC: glossy finish**



**matt finish**



**COLORS IN ELIMINATION**